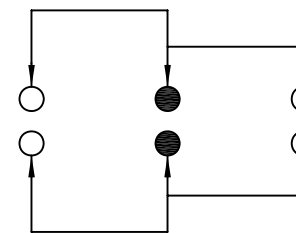
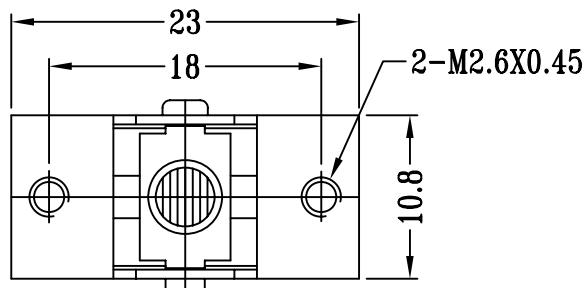
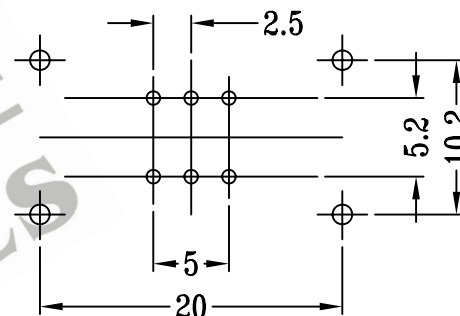
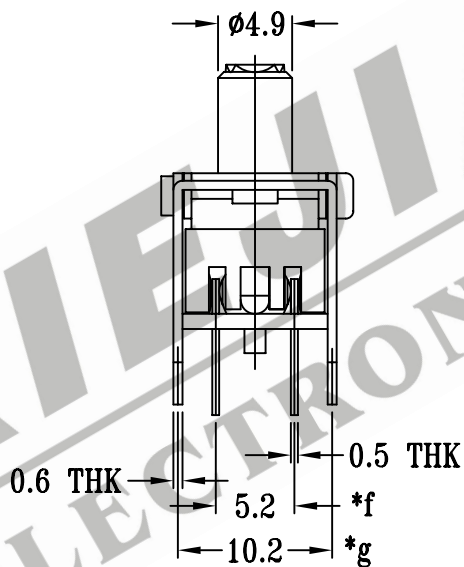
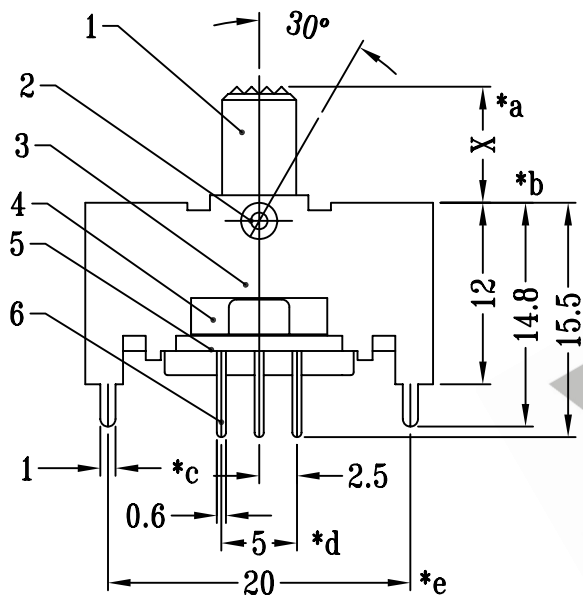


CAD FILE:



SCHEMATIC (NON-SHORTING)



P.C.B LAYOUT

11	NOB	PC	1	BLACK
10	CONTACT CLIP	PBS	1	Ag CLAD
9	PRESS BAR	POM	2	WHITE
8	SPRING	STEEL WIRE	1	TEMPER
7	TERMINAL	BRASS STRIP	1	Ag PLATED OVER Ni PLATED
6	POSITION PLATE	POM	6	BLACK
5	BASE	PHENOLIC RESIN	1	NATURAL
4	SLIDER	POM	1	BLACK
3	FRAME	STEEL STRIP	1	Zn PLATED
2	RIVET	COPPER	1	Ni PLATED
1	SLEEVE	ALUMINIUM	1	NATURAL
NO.	PARTS	MATERIALS	Q'TY	FINISH

TOLERANCE UNLESS SPECIFIED		SHENZHEN XIEJIA ELECTRONICS CO.,LTD.		
WITHIN: 1.5±0.1mm OVER: 1.5±0.2mm		ISSUE	DATE	DESCRIPTIONS OF REVISION
TITLE: TOGGLE SWITCH		UNIT: mm	DRWG NO.: XJ-DR-TS22E04-00	
MODEL: TS-22E04		SCALE: 2:1	CHK'D	FANGYING 2001-6-20
ALL MATERIALS MUST BE COMPLIANT TO ROHS		APPD.	KANGXINAN	2001-6-20

注:带*表示关键尺寸(7个)